

ECS455: Chapter 4

Multiple Access

4.7 Synchronous CDMA

Dr. Prapun Suksompong
prapun.com/ecs455

Office Hours:
BKD 3601-7
Tuesday 9:30-10:30
Friday 14:00-16:00

Synchronous CDMA Model

- Timing is important for orthogonality
- It is not possible to obtain orthogonal codes for asynchronous users. [Goldsmith, 2005]
- Bit epochs are aligned at the receiver
- Require
 - Closed-loop timing control or
 - Providing the transmitters with access to a common clock (such as the Global Positioning System)

[Verdu, 1998, p 21]

Walsh Functions [Walsh, 1923]

- Walsh codes are used in second- (2G) and third-generation (3G) cellular radio systems for providing channelization
- A set of Walsh functions can be ordered according to the number of zero crossing (sign changes)

in $(0, T)$

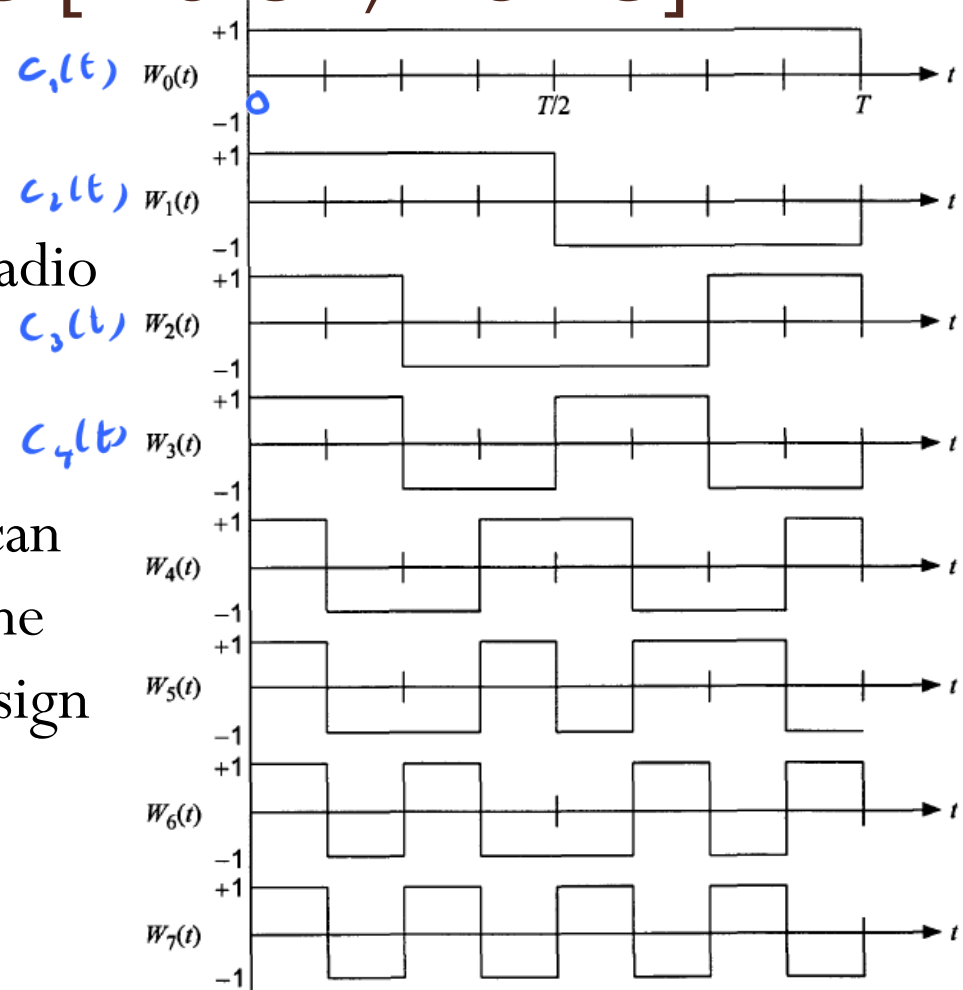


Figure 5.1 The Walsh functions of order 8.

[Lee and Miller, 1998, Fig. 5.1]

Walsh Functions (2)

We define the **Walsh functions of order N** as a set of N time functions, denoted $\{W_j(t); t \in (0, T), j = 0, 1, \dots, N - 1\}$, such that

- $W_j(t)$ takes on the values $\{+1, -1\}$ except at the jumps, where it takes the value zero.
- $W_j(0) = 1$ for all j .
- $W_j(t)$ has precisely j sign changes (zero crossings) in the interval $(0, T)$.
- $$\int_0^T W_j(t) W_k(t) dt = \begin{cases} 0, & \text{if } j \neq k \\ T, & \text{if } j = k \end{cases}$$
 Orthogonality
- Each function $W_j(t)$ is either odd or even with respect to the mid-point of the interval.

Once we know how to generate these Walsh functions of any order N , we can use them in N -channel orthogonal multiplexing applications.

Walsh Sequences

Walsh sequences															
W_0	=	0	0	0	0	0	0	0	0	0	0	0	0	0	0
W_1	=	0	0	0	0	0	0	0	1	1	1	1	1	1	1
W_2	=	0	0	0	0	1	1	1	1	1	1	1	0	0	0
W_3	=	0	0	0	0	1	1	1	1	0	0	0	0	1	1
W_4	=	0	0	1	1	1	1	0	0	0	0	1	1	1	0
W_5	=	0	0	1	1	1	1	0	0	1	1	0	0	0	1
W_6	=	0	0	1	1	0	0	1	1	1	1	0	0	1	0
W_7	=	0	0	1	1	0	0	1	1	0	0	1	1	0	0
W_8	=	0	1	1	0	0	1	1	0	0	1	1	0	0	1
W_9	=	0	1	1	0	0	1	1	0	1	0	0	1	1	0
W_{10}	=	0	1	1	0	1	0	0	1	1	0	0	1	0	1
W_{11}	=	0	1	1	0	1	0	0	1	0	1	1	0	1	0
W_{12}	=	0	1	0	1	1	0	1	0	0	1	0	1	1	0
W_{13}	=	0	1	0	1	1	0	1	0	1	0	1	0	0	1
W_{14}	=	0	1	0	1	0	1	0	1	1	0	1	0	1	0
W_{15}	=	0	1	0	1	0	1	0	1	0	1	0	1	0	1

- The Walsh functions, expressed in terms of ± 1 values, form a group under the multiplication operation (**multiplicative group**).
- The Walsh sequences, expressed in terms of $\{0, 1\}$ values, form a group under modulo-2 addition (**additive group**).
- **Closure property:**

$$\{\pm 1\} \quad W_i(t) \cdot W_j(t) = W_r(t)$$

$$\{0, 1\} \quad W_i \oplus W_j = W_r$$

↑
mod 2 addition

Abstract Algebra

- A **group** is a set of objects G on which a binary operation “ \cdot ” has been defined. “ \cdot ”: $G \times G \rightarrow G$ (closure). The operation must also satisfy

1. Associativity: $(a \cdot b) \cdot c = a \cdot (b \cdot c)$

2. Identity: $\exists e \in G$ such that $\forall a \in G \ a \cdot e = e \cdot a = a \ \exists a \in G$

3. Inverse: $\forall a \in G \ \exists$ a unique element $a^{-1} \in G$ such that $a \cdot a^{-1} = a^{-1} \cdot a = e$.

- A group is said to be **commutative** (or **abelian**) if it also satisfies commutativity:

$$\forall a, b \in G, \ a \cdot b = b \cdot a.$$

- The group operation for a commutative group is usually represented using the symbol “+”, and the group is sometimes said to be “additive.”

Walsh sequences of order 64

Table 5.2 Walsh functions of order 64 (indexed by zero crossings)

W_0	00000000000000 00000000000000 00000000000000 00000000000000	W_{32}	0110011001100110 0110011001100110 0110011001100110 0110011001100110
W_1	00000000000000 00000000000000 11111111111111 11111111111111	W_{33}	0110011001100110 0110011001100110 1001100110011001 1001100110011001
W_2	00000000000000 11111111111111 11111111111111 00000000000000	W_{34}	0110011001100110 1001100110011001 1001100110011001 0110011001100110
W_3	00000000000000 11111111111111 00000000000000 11111111111111	W_{35}	0110011001100110 1001100110011001 0110011001100110 1001100110011001
W_4	0000000011111111 1111111000000000 0000000011111111 1111111000000000	W_{36}	0110011010011001 1001100101100110 0110011010011001 1001100101100110
W_5	0000000011111111 1111111000000000 1111111000000000 0000000011111111	W_{37}	0110011010011001 1001100101100110 1001100101100110 0110011010011001
W_6	0000000011111111 0000000011111111 1111111000000000 1111111000000000	W_{38}	0110011010011001 0110011010011001 1001100101100110 1001100101100110
W_7	0000000011111111 0000000011111111 0000000011111111 0000000011111111	W_{39}	0110011010011001 0110011010011001 0110011010011001 0110011010011001
W_8	0000111111100000 0000111111100000 0000111111100000 0000111111100000	W_{40}	0110100110010110 0110100110010110 0110100110010110 0110100110010110
W_9	0000111111100000 0000111111100000 1111000000001111 1111000000001111	W_{41}	0110100110010110 0110100110010110 1001011001100101 1001011001100101
W_{10}	0000111111100000 1111000000001111 1111000000001111 0000111111100000	W_{42}	0110100110010110 1001011001100101 0110100110010110 1001011001100101
W_{11}	0000111111100000 1111000000001111 0000111111100000 1111000000001111	W_{43}	0110100110010110 1001011001100101 0110100110010110 1001011001100101
W_{12}	0000111000001111 1111000001110000 0000111000001111 1111000001110000	W_{44}	0110100101101001 1001011010010110 0110100101101001 1001011010010110
W_{13}	0000111000001111 1111000001110000 1111000001110000 0000111000001111	W_{45}	0110100101101001 1001011010010110 1001011010010110 0110100101101001
W_{14}	0000111000001111 0000111000001111 1111000001110000 1111000001110000	W_{46}	0110100101101001 0110100101101001 1001011010010110 1001011010010110
W_{15}	0000111000001111 0000111000001111 0000111000001111 0000111000001111	W_{47}	0110100101101001 0110100101101001 0110100101101001 0110100101101001
W_{16}	0011110000111100 0011110000111100 0011110000111100 0011110000111100	W_{48}	0101101001011010 0101101001011010 0101101001011010 0101101001011010
W_{17}	0011110000111100 0011110000111100 1100001111000011 1100001111000011	W_{49}	0101101001011010 0101101001011010 1010010110100101 1010010110100101
W_{18}	0011110000111100 1100001111000011 1100001111000011 0011110000111100	W_{50}	0101101001011010 1010010110100101 1010010110100101 0101101001011010
W_{19}	0011110000111100 1100001111000011 0011110000111100 1100001111000011	W_{51}	0101101001011010 1010010110100101 0101101001011010 1010010110100101
W_{20}	0011110011000011 1100001100111100 0011110011000011 1100001100111100	W_{52}	0101101010100101 1010010101011010 0101101010100101 1010010101011010
W_{21}	0011110011000011 1100001100111100 1100001100111100 0011110011000011	W_{53}	0101101010100101 1010010101011010 1010010101011010 0101101010100101
W_{22}	0011110011000011 0011110011000011 1100001100111100 1100001100111100	W_{54}	0101101010100101 0101101010100101 1010010101011010 1010010101011010
W_{23}	0011110011000011 0011110011000011 0011110011000011 0011110011000011	W_{55}	0101101010100101 0101101010100101 0101101010100101 0101101010100101
W_{24}	0011001111001100 0011001111001100 0011001111001100 0011001111001100	W_{56}	0101010110101010 0101010110101010 0101010110101010 0101010110101010
W_{25}	0011001111001100 0011001111001100 1100110000110011 1100110000110011	W_{57}	0101010110101010 0101010110101010 1010101000101010 1010101000101010
W_{26}	0011001111001100 1100110000110011 1100110000110011 0011001111001100	W_{58}	0101010110101010 1010101000101010 1010101000101010 0101010110101010
W_{27}	0011001111001100 1100110000110011 0011001111001100 1100110000110011	W_{59}	0101010110101010 1010101000101010 0101010110101010 1010101000101010
W_{28}	0011001100110011 1100110011001100 0011001100110011 1100110011001100	W_{60}	0101010101010101 1010101010101010 0101010101010101 1010101010101010
W_{29}	0011001100110011 1100110011001100 1100110011001100 0011001100110011	W_{61}	0101010101010101 1010101010101010 1010101010101010 0101010101010101
W_{30}	0011001100110011 0011001100110011 1100110011001100 1100110011001100	W_{62}	0101010101010101 0101010101010101 1010101010101010 1010101010101010
W_{31}	0011001100110011 0011001100110011 0011001100110011 0011001100110011	W_{63}	0101010101010101 0101010101010101 0101010101010101 0101010101010101

2.2?

What's wrong with this list?!

Walsh Function Generation

- The Walsh functions can be generated (or computed) by many methods. We can construct the Walsh functions by:
 1. Using Rademacher functions
 2. Using **Hadamard matrices**
 3. Exploiting the symmetry properties of Walsh functions themselves
- The **Hadamard matrix** (french mathematician) is a square array of plus and minus ones, $\{+1, -1\}$, whose rows and columns are mutually orthogonal.
- If the first row and first column contain only plus ones, the matrix is said to be in **normal form**.
- We can replace “+1” with “0” and “-1” with “1” to express the Hadamard matrix using the logic elements $\{0, 1\}$.
- The 2×2 Hadamard matrix of order 2 is

$$H_2 = \begin{bmatrix} 1 & 1 \\ 1 & -1 \end{bmatrix} \equiv \begin{bmatrix} 0 & 0 \\ 0 & 1 \end{bmatrix}$$

Hadamard matrix (1)

Suppose H_N is an $N \times N$ Hadamard matrix. $N \geq 1$ is called the order of a Hadamard matrix

1. $N = 1, 2,$ or $4t$, where t is a positive integer.
2. $H_N H_N^T = N I_N$ where I_N is the $N \times N$ identity matrix.
3. If H_a and H_b are Hadamard matrices of order a and b , respectively, then we define $H_a \otimes H_b$ to be the Hadamard matrix H_{ab} of order ab whose elements are found by substituting H_b for $+1$ (or logic 0) in H_a and $-H_b$ (or the complement of H_b) for -1 (or logic 1) in H_a .

Caution: Some textbooks write this symbol as \times . It is not the regular matrix multiplication

If you'd like to know more,.....

Kronecker Product

- An operation on two matrices of arbitrary size
- Named after German mathematician Leopold Kronecker.
- If \mathbf{A} is an m -by- n matrix and \mathbf{B} is a p -by- q matrix, then the Kronecker product $\mathbf{A} \otimes \mathbf{B}$ is the mp -by- nq matrix

$$\mathbf{A} \otimes \mathbf{B} = \begin{bmatrix} a_{11}B & \cdots & a_{1n}B \\ \vdots & \ddots & \vdots \\ a_{m1}B & \cdots & a_{mn}B \end{bmatrix}.$$

- Example

$$\begin{bmatrix} 1 & 2 \\ 3 & 4 \end{bmatrix} \otimes \begin{bmatrix} 0 & 5 \\ 6 & 7 \end{bmatrix} = \begin{bmatrix} 1.0 & 1.5 & 2.0 & 2.5 \\ 1.6 & 1.7 & 2.6 & 2.7 \\ 3.0 & 3.5 & 4.0 & 4.5 \\ 3.6 & 3.7 & 4.6 & 4.7 \end{bmatrix} = \begin{bmatrix} 0 & 5 & 0 & 10 \\ 6 & 7 & 12 & 14 \\ 0 & 15 & 0 & 20 \\ 18 & 21 & 24 & 28 \end{bmatrix}.$$

Hadamard matrix (2)

$$H_{ab} = H_a \otimes H_b$$

$$H_{2N} = H_2 \otimes H_N \\ = \begin{bmatrix} 1 & 1 \\ 1 & -1 \end{bmatrix} \otimes H_N$$

- ▶ Consequently, if N is a power of two and it is understood that $H_1 = [+1] \equiv [0]$, then H_{2N} can be found as follows:

$$H_{2N} = \begin{bmatrix} H_N & H_N \\ H_N & \overline{H_N} \end{bmatrix}$$

where $\overline{H_N}$ is the negative (complement) of H_N .

- ▶ Hadamard matrices of order $N = 2^t$ can be formed by repeatedly multiplying (\otimes) the normal form of the $N = 2$ Hadamard matrix by itself.

Hadamard matrix: Examples

$$\mathbf{H}_2 = \begin{bmatrix} 1 & 1 \\ 1 & -1 \end{bmatrix}$$

$$= \begin{bmatrix} 1 & 1 \\ 1 & -1 \end{bmatrix} \otimes \mathbf{H}_2$$

$$\mathbf{H}_4 = \mathbf{H}_2 \otimes \mathbf{H}_2 = \begin{bmatrix} 1 & 1 & 1 & 1 \\ 1 & -1 & 1 & -1 \\ 1 & 1 & -1 & -1 \\ 1 & -1 & -1 & 1 \end{bmatrix}$$

$$\mathbf{H}_{16} = \mathbf{H}_2 \otimes \mathbf{H}_8 =$$

$$\begin{bmatrix} 1 & 1 & 1 & 1 & 1 & 1 & 1 & 1 & 1 & 1 & 1 & 1 & 1 & 1 & 1 & 1 \\ 1 & -1 & 1 & -1 & 1 & -1 & 1 & -1 & 1 & -1 & 1 & -1 & 1 & -1 & 1 & -1 \\ 1 & 1 & -1 & -1 & 1 & 1 & -1 & -1 & 1 & 1 & -1 & -1 & 1 & 1 & -1 & -1 \\ 1 & -1 & -1 & 1 & 1 & -1 & -1 & 1 & 1 & -1 & -1 & 1 & 1 & -1 & -1 & 1 \\ 1 & 1 & 1 & 1 & -1 & -1 & -1 & -1 & 1 & 1 & 1 & 1 & -1 & -1 & -1 & -1 \\ 1 & -1 & 1 & -1 & -1 & 1 & -1 & 1 & 1 & -1 & 1 & -1 & -1 & 1 & -1 & 1 \\ 1 & 1 & -1 & -1 & -1 & -1 & 1 & 1 & 1 & 1 & -1 & -1 & -1 & -1 & 1 & 1 \\ 1 & -1 & -1 & 1 & -1 & 1 & 1 & -1 & 1 & -1 & -1 & 1 & -1 & 1 & 1 & -1 \\ 1 & 1 & 1 & 1 & 1 & 1 & 1 & 1 & -1 & -1 & -1 & -1 & 1 & 1 & 1 & 1 \\ 1 & -1 & 1 & -1 & -1 & 1 & -1 & 1 & -1 & 1 & -1 & 1 & 1 & -1 & 1 & -1 \\ 1 & 1 & -1 & -1 & -1 & -1 & 1 & 1 & -1 & -1 & 1 & 1 & 1 & 1 & -1 & -1 \\ 1 & -1 & -1 & 1 & -1 & 1 & 1 & -1 & -1 & 1 & 1 & -1 & 1 & -1 & -1 & 1 \end{bmatrix}$$

$$\mathbf{H}_8 = \mathbf{H}_2 \otimes \mathbf{H}_4 = \begin{bmatrix} 1 & 1 & 1 & 1 & 1 & 1 & 1 & 1 \\ 1 & -1 & 1 & -1 & 1 & -1 & 1 & -1 \\ 1 & 1 & -1 & -1 & 1 & 1 & -1 & -1 \\ 1 & -1 & -1 & 1 & 1 & -1 & -1 & 1 \\ 1 & 1 & 1 & 1 & -1 & -1 & -1 & -1 \\ 1 & -1 & 1 & -1 & -1 & 1 & -1 & 1 \\ 1 & 1 & -1 & -1 & -1 & -1 & 1 & 1 \\ 1 & -1 & -1 & 1 & -1 & 1 & 1 & -1 \end{bmatrix}$$

In MATLAB, use
hadamard(k)

Two ways to get H_8 from H_2 and H_4

$$H_2 = \begin{bmatrix} 1 & 1 \\ 1 & -1 \end{bmatrix} \quad H_4 = \begin{bmatrix} 1 & 1 & 1 & 1 \\ 1 & -1 & 1 & -1 \\ 1 & 1 & -1 & -1 \\ 1 & -1 & -1 & 1 \end{bmatrix}$$

$$H_8 = H_2 \otimes H_4$$

$$H_8 = H_4 \otimes H_2$$

$$\begin{bmatrix} 1 & 1 & 1 & 1 & 1 & 1 & 1 & 1 \\ 1 & -1 & 1 & -1 & 1 & -1 & 1 & -1 \\ 1 & 1 & -1 & -1 & 1 & 1 & -1 & -1 \\ 1 & -1 & -1 & 1 & 1 & -1 & -1 & 1 \\ \hline 1 & 1 & 1 & 1 & -1 & -1 & -1 & -1 \\ 1 & -1 & 1 & -1 & -1 & 1 & -1 & 1 \\ 1 & 1 & -1 & -1 & -1 & -1 & 1 & 1 \\ 1 & -1 & -1 & 1 & -1 & 1 & 1 & -1 \end{bmatrix}$$

$$\begin{bmatrix} 1 & 1 & 1 & 1 & 1 & 1 & 1 & 1 \\ 1 & -1 & 1 & -1 & 1 & -1 & 1 & -1 \\ \hline 1 & 1 & -1 & -1 & 1 & 1 & -1 & -1 \\ 1 & -1 & -1 & 1 & 1 & -1 & -1 & 1 \\ \hline 1 & 1 & 1 & 1 & -1 & -1 & -1 & -1 \\ 1 & -1 & 1 & -1 & -1 & 1 & -1 & 1 \\ \hline 1 & 1 & -1 & -1 & -1 & -1 & 1 & 1 \\ 1 & -1 & -1 & 1 & -1 & 1 & 1 & -1 \end{bmatrix}$$

Walsh–Hadamard Sequences

- All the rows (or columns) of Hadamard matrices are Walsh sequences if the order is $N = 2^t$.
- Rows of the Hadamard matrix are not indexed according to the number of sign changes.
- Used in synchronous CDMA
 - It is possible to synchronize users on the downlink, where all signals originate from the same transmitter.
 - It is more challenging to synchronize users in the uplink, since they are not co-located.
 - Asynchronous CDMA

Hadamard Matrix in MATLAB

- We use the `hadamard` function in MATLAB to generate Hadamard matrix.

```
N = 8; % Length of Walsh (Hadamard) functions
hadamardMatrix = hadamard(N)
hadamardMatrix =
```

```

     1     1     1     1     1     1     1     1
     1    -1     1    -1     1    -1     1    -1
     1     1    -1    -1     1     1    -1    -1
     1    -1    -1     1     1    -1    -1     1
     1     1     1     1    -1    -1    -1    -1
     1    -1     1    -1    -1     1    -1     1
     1     1    -1    -1    -1    -1     1     1
     1    -1    -1     1    -1     1     1    -1
```

- The Walsh functions in the matrix are not arranged in increasing order of their sequencies or number of zero-crossings (i.e. 'sequency order') .

Walsh Matrix in MATLAB

- The Walsh matrix, which contains the Walsh functions along the rows or columns in the increasing order of their sequences is obtained by changing the index of the `hadamardMatrix` as follows.

```
HadIdx = 0:N-1;           % Hadamard index
M = log2(N)+1;           % Number of bits to represent the index
```

- Each column of the sequence index (in binary format) is given by the modulo-2 addition of columns of the bit-reversed Hadamard index (in binary format).

```
binHadIdx = fliplr(dec2bin(HadIdx,M)); % Bit reversing of the binary index
binHadIdx = uint8(binHadIdx)-uint8('0'); % Convert from char to integer array
binSeqIdx = zeros(N,M-1,'uint8'); % Pre-allocate memory
for k = M:-1:2
    % Binary sequence index
    binSeqIdx(:,k) = xor(binHadIdx(:,k),binHadIdx(:,k-1));
end
SeqIdx = bin2dec(int2str(binSeqIdx)); % Binary to integer sequence index
walshMatrix = hadamardMatrix(SeqIdx+1,:) % 1-based indexing
walshMatrix =
```

```
1  1  1  1  1  1  1  1
1  1  1  1 -1 -1 -1 -1
1  1 -1 -1 -1 -1  1  1
1  1 -1 -1  1  1 -1 -1
1 -1 -1  1  1 -1 -1  1
1 -1 -1  1 -1  1  1 -1
1 -1  1 -1 -1  1 -1  1
1 -1  1 -1  1 -1  1 -1
```


CDMA via Hadamard Matrix

```
N = 8; % 8 Users
H = hadamard(N); % Hadamard matrix
%% At transmitter(s),
S = [8 0 12 0 18 0 0 10];
r = S*H
% r = 8.*H(1,:) + 12.*H(3,:) + 18.*H(5,:) + 10.*H(8,:);
% Alternatively, use
% r = ifwht(S,N,'hadamard')
%% At Receiver,
S_hat = (1/N)*r*H'
% Alternatively, use
% S_hat = fwht(r,N,'hadamard')
```

Discrete Walsh-Hadamard transform

Specify the order of the Walsh-Hadamard transform coefficients. ORDERING can be 'sequency', 'hadamard' or 'dyadic'. Default ORDERING type is 'sequency'.

ECS455: Chapter 4

Multiple Access

4.8 IS-95

Actual CDMA system
(2G)

Dr. Prapun Suksompong
prapun.com/ecs455

Office Hours:

BKD 3601-7

Tuesday 9:30-10:30

Friday 14:00-16:00

Evolution of cellular network

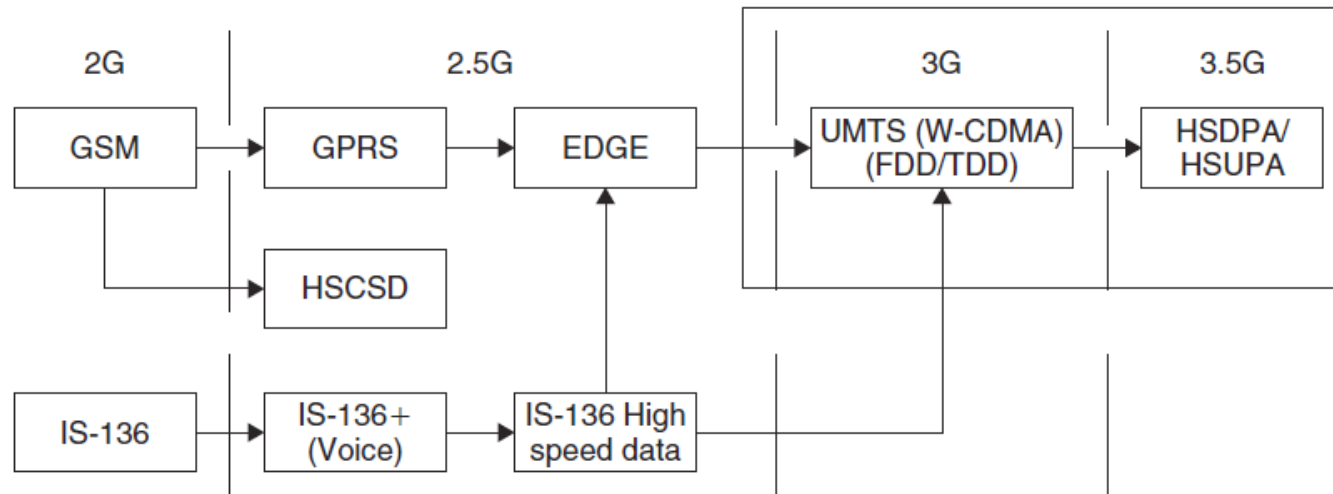


Figure 1.1 Evolution of 2G networks based on TDMA technology.

[Abu-Rgheff, 2007]

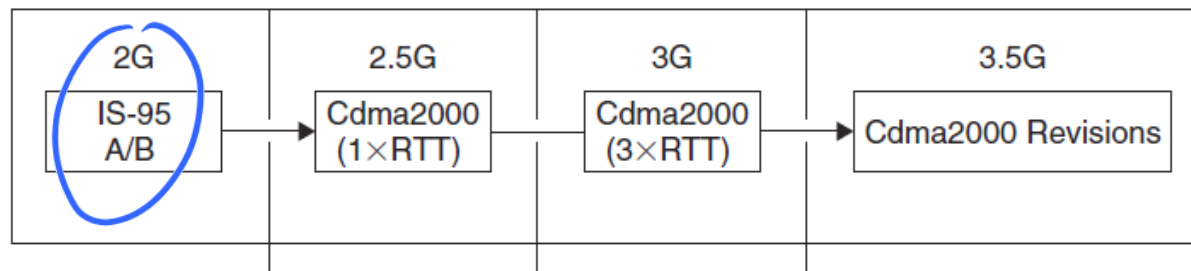


Figure 1.2 Evolution of 2G networks based on CDMA technology.

IS-95 System

cdmaOne

- Based on direct sequence CDMA (DS-SS-CDMA)
 - First CDMA-based digital cellular standard.
- The brand name for IS-95 is cdmaOne.
 - Also known as TIA-EIA-95.
- Proposed by Qualcomm in 1989 and adopted in 1993.
 - North America
- Now being replaced by IS-2000 (CDMA2000)
- 1.25 MHz Channel BW
- 1.228 Mb/s chip rate
- **Walsh functions** of **“order 64”** are extensively used in the IS-95 system.
- Remarks
 - IS-95B = cdmaOne
 - Upgrade IS-95A
 - Can carry data at rates up to 14.4 kbps for IS-95A and 115 kbps for IS-95B.



64-ary Walsh Functions

Table 5.8 Walsh functions of order 64, as indexed in IS-95 (W_i is the Walsh notation, and H_i is the Hadamard notation)

W_0	H_0	0000000000000000 0000000000000000 0000000000000000 0000000000000000	W_1	H_{32}	0000000000000000 0000000000000000 1111111111111111 1111111111111111
W_{63}	H_1	0101010101010101 0101010101010101 0101010101010101 0101010101010101	W_{62}	H_{33}	0101010101010101 0101010101010101 1010101010101010 1010101010101010
W_{31}	H_2	0011001100110011 0011001100110011 0011001100110011 0011001100110011	W_{30}	H_{34}	0011001100110011 0011001100110011 1100110011001100 1100110011001100
W_{32}	H_3	0110011001100110 0110011001100110 0110011001100110 0110011001100110	W_{33}	H_{35}	0110011001100110 0110011001100110 1001100110011001 1001100110011001
W_{15}	H_4	0000111100001111 0000111100001111 0000111100001111 0000111100001111	W_{14}	H_{36}	0000111100001111 0000111100001111 1111000011110000 1111000011110000
W_{48}	H_5	0101101001011010 0101101001011010 0101101001011010 0101101001011010	W_{49}	H_{37}	0101101001011010 0101101001011010 1010010110100101 1010010110100101
W_{16}	H_6	0011110000111100 0011110000111100 0011110000111100 0011110000111100	W_{17}	H_{38}	0011110000111100 0011110000111100 1100001111000011 1100001111000011
W_{47}	H_7	0110100101101001 0110100101101001 0110100101101001 0110100101101001	W_{46}	H_{39}	0110100101101001 0110100101101001 1001011010010110 1001011010010110
W_7	H_8	0000000011111111 0000000011111111 0000000011111111 0000000011111111	W_6	H_{40}	0000000011111111 0000000011111111 1111111100000000 1111111100000000
W_{56}	H_9	0101010110101010 0101010110101010 0101010110101010 0101010110101010	W_{57}	H_{41}	0101010110101010 0101010110101010 1010101001010101 1010101001010101
W_{24}	H_{10}	0011001111001100 0011001111001100 0011001111001100 0011001111001100	W_{25}	H_{42}	0011001111001100 0011001111001100 1100110000110011 1100110000110011
W_{39}	H_{11}	0110011010011001 0110011010011001 0110011010011001 0110011010011001	W_{38}	H_{43}	0110011010011001 0110011010011001 1001100101100110 1001100101100110
W_8	H_{12}	0000111111110000 0000111111110000 0000111111110000 0000111111110000	W_9	H_{44}	0000111111110000 0000111111110000 1111000000001111 1111000000001111
W_{55}	H_{13}	0101101010100101 0101101010100101 0101101010100101 0101101010100101	W_{54}	H_{45}	0101101010100101 0101101010100101 1010010101011010 1010010101011010
W_{23}	H_{14}	0011110011000011 0011110011000011 0011110011000011 0011110011000011	W_{22}	H_{46}	0011110011000011 0011110011000011 1100001100111100 1100001100111100
W_{40}	H_{15}	0110100110010110 0110100110010110 0110100110010110 0110100110010110	W_{41}	H_{47}	0110100110010110 0110100110010110 1001011001101001 1001011001101001
W_3	H_{16}	0000000000000000 1111111111111111 0000000000000000 1111111111111111	W_2	H_{48}	0000000000000000 1111111111111111 1111111111111111 0000000000000000
W_{60}	H_{17}	0101010101010101 1010101010101010 0101010101010101 1010101010101010	W_{61}	H_{49}	0101010101010101 1010101010101010 1010101010101010 0101010101010101
W_{28}	H_{18}	0011001100110011 1100110011001100 0011001100110011 1100110011001100	W_{29}	H_{50}	0011001100110011 1100110011001100 1100110011001100 0011001100110011
W_{35}	H_{19}	0110011001100110 1001100110011001 0110011001100110 1001100110011001	W_{34}	H_{51}	0110011001100110 1001100110011001 1001100110011001 0110011001100110
W_{12}	H_{20}	0000111100001111 1111000011110000 0000111100001111 1111000011110000	W_{13}	H_{52}	0000111100001111 1111000011110000 1111000011110000 0000111100001111
W_{51}	H_{21}	0101101001011010 1010101010100101 0101101001011010 1010101010100101	W_{50}	H_{53}	0101101001011010 1010101010100101 1010010110100101 0101101001011010
W_{19}	H_{22}	0011110000111100 1100001111000011 0011110000111100 1100001111000011	W_{18}	H_{54}	0011110000111100 1100001111000011 1100001111000011 0011110000111100
W_{44}	H_{23}	0110100101101001 1001011010010110 0110100101101001 1001011010010110	W_{45}	H_{55}	0110100101101001 1001011010010110 1001011010010110 0110100101101001
W_4	H_{24}	0000000011111111 1111111100000000 0000000011111111 1111111100000000	W_5	H_{56}	0000000011111111 1111111100000000 1111111100000000 0000000011111111
W_{59}	H_{25}	0101010110101010 1010101001010101 0101010110101010 1010101001010101	W_{58}	H_{57}	0101010110101010 1010101001010101 1010101001010101 0101010110101010
W_{27}	H_{26}	0011001111001100 1100110000110011 0011001111001100 1100110000110011	W_{26}	H_{58}	0011001111001100 1100110000110011 1100110000110011 0011001111001100
W_{36}	H_{27}	0110011010011001 1001100101100110 0110011010011001 1001100101100110	W_{37}	H_{59}	0110011010011001 1001100101100110 1001100101100110 0110011010011001
W_{11}	H_{28}	0000111111110000 1111000000001111 0000111111110000 1111000000001111	W_{10}	H_{60}	0000111111110000 1111000000001111 1111000000001111 0000111111110000
W_{52}	H_{29}	0101101010100101 1010010101010101 0101101010100101 1010010101010101	W_{53}	H_{61}	0101101010100101 1010010101010101 1010010101010101 0101101010100101
W_{20}	H_{30}	0011110011000011 1100001100111100 0011110011000011 1100001100111100	W_{21}	H_{62}	0011110011000011 1100001100111100 1100001100111100 0011110011000011
W_{43}	H_{31}	0110100110010110 1001011001101001 0110100110010110 1001011001101001	W_{12}	H_{63}	0110100110010110 1001011001101001 1001011001101001 0110100110010110

Walsh Sequences in IS-95

- **Forward link**
 - QPSK with a chip rate of 1,228,800 per second.
 - The **multiple access scheme** is accomplished by the use of 64-bit spreading orthogonal **Walsh sequences** (functions).
 - The (coded and interleaved) traffic channel signal symbols are multiplied with distinct repeating Walsh sequences that are assigned to each channel for the duration of the call.
 - Every base stations is synchronized with a GPS receiver so transmissions are tightly controlled in time.
- **Reverse link**
 - The Walsh sequences are employed as an **orthogonal modulation code**, which depends only on the data pattern (not channel), forming a 64-ary orthogonal modulation system.

IS-95

- The **reverse link** is subject to near-far effects.
- More powerful **error correction** is employed on the reverse link.
 - A rate 1/2 constraint length 9 convolutional code followed by an interleaver on the forward channel
 - A rate 1/3 constraint length 9 convolutional code followed by an interleaver is used on the reverse link.
 - Also with WH(6,64)
 - Interleaving is utilized to avoid large burst errors, which can be very detrimental to convolutional codes.
- **Power control.**
 - Use a subchannel on the forward link
 - Every 1.25 ms the base station receiver estimates the signal strength of the mobile unit.
 - If it is too high, the base transmits a 1 on the subchannel. If it is too low, it transmits a 0.
 - In this way, the mobile station adjusts its power every 1.25 ms as necessary so as to reduce interference to other users.

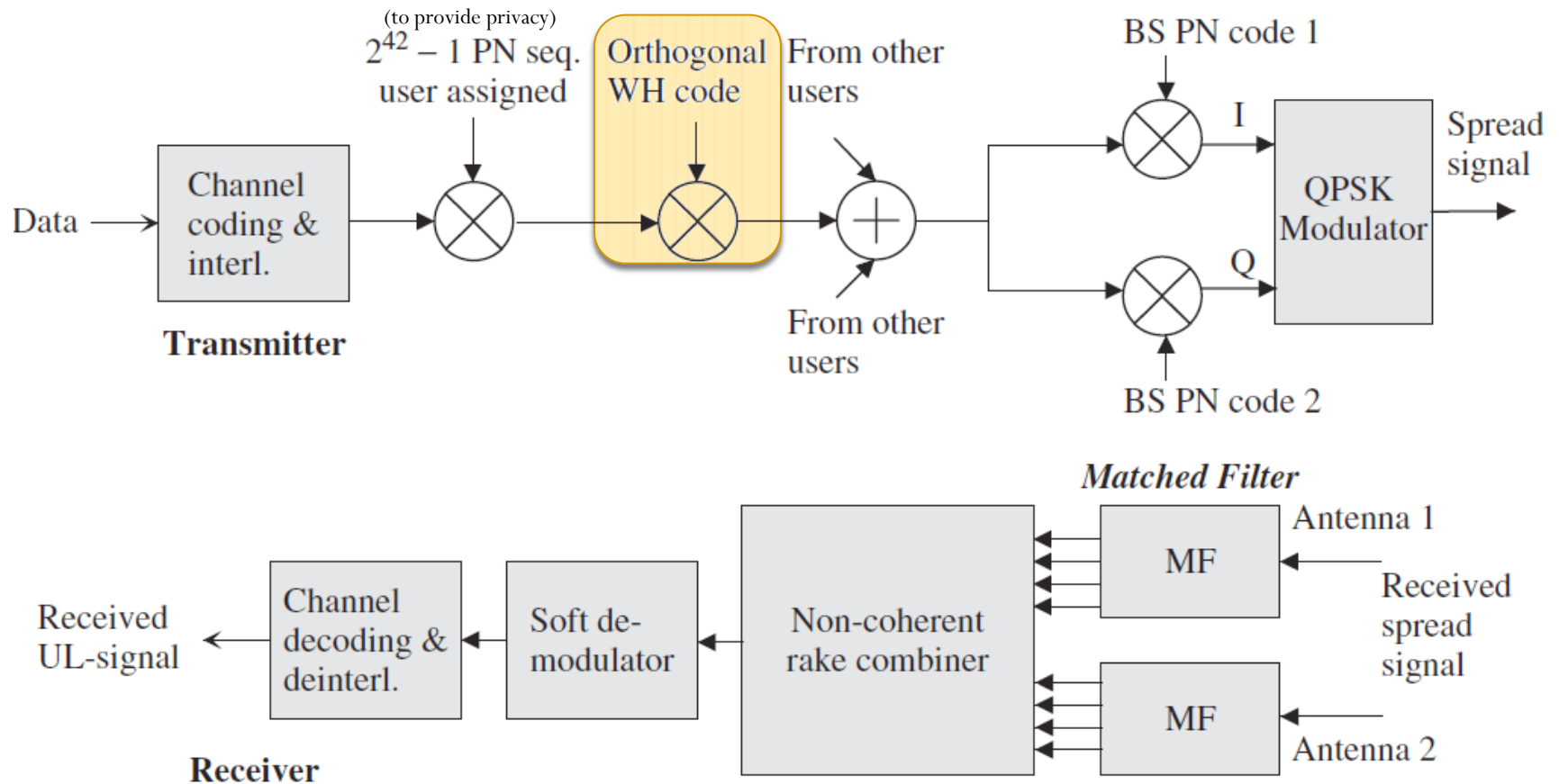
IS-95: Increased Spectral Efficiency

- Improve frequency reuse.
 - Narrow-band systems cannot use the same transmission frequency in adjacent cells because of the potential for interference.
 - CDMA has inherent resistance to interference.
 - $N = 1$ (theoretically)
 - Although users from adjacent cells will contribute to interference level, their contribution will be significantly less than the interference from the same cell users.
 - Frequency reuse efficiency increases by a factor of 4 to 6.
- When used to transmit voice signals, CDMA systems may exploit the fact that voice activity typically lies at somewhat less than 40%, thus reducing the amount of interference to 40% of its original value.

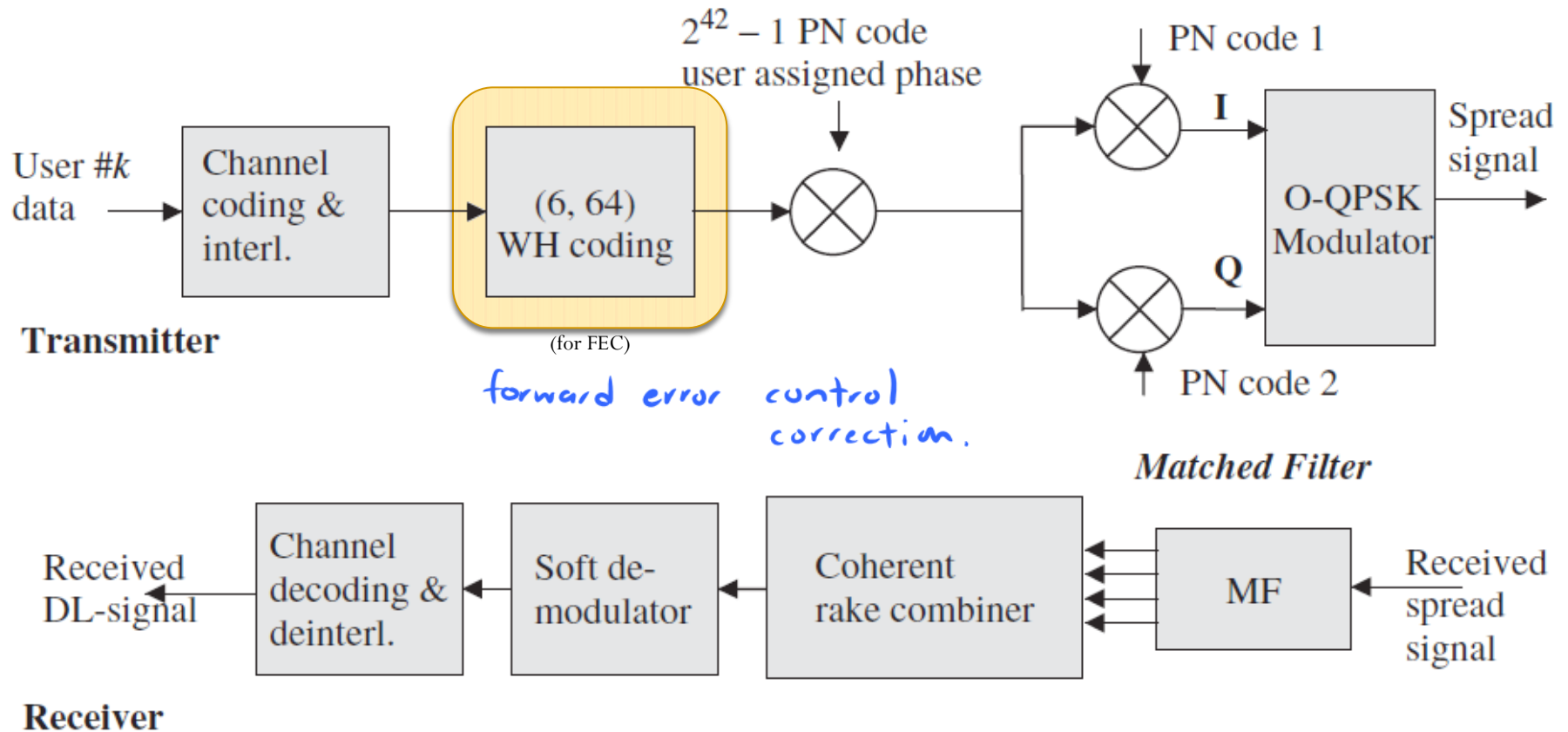
QCELP

- Qualcomm code-excited linear prediction algorithm
- Used for voice encoding.
- The voice coder exploits gaps and pauses in speech.
- The data rate is variable.
- To keep the symbol rate constant, whenever the bit rate falls below the peak bit rate of 9600 kbit/s, repetition is used to fill the gaps.
 - For example, if the output of the voice coder (and subsequently the convolutional coder) falls to 2400 bit/s, the output is repeated three times before it is sent to the interleaver.
 - Takes advantage of this repetition time by reducing the output power during three out of the four identical symbols by at least 20 dB.
 - In this way, the multiple-access interference is reduced.
- This voice activity gating reduces interference and increases overall capacity.

IS-95 base station transceiver

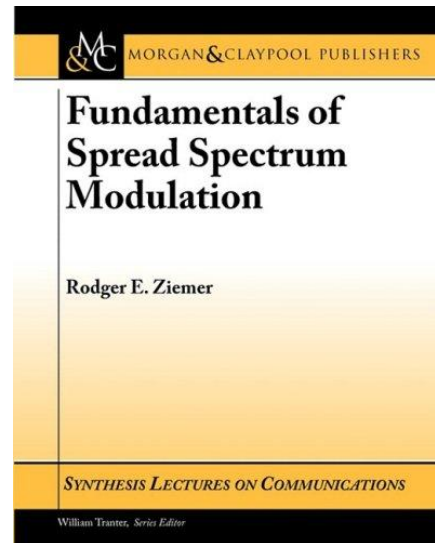


IS-95 terminal station transceiver

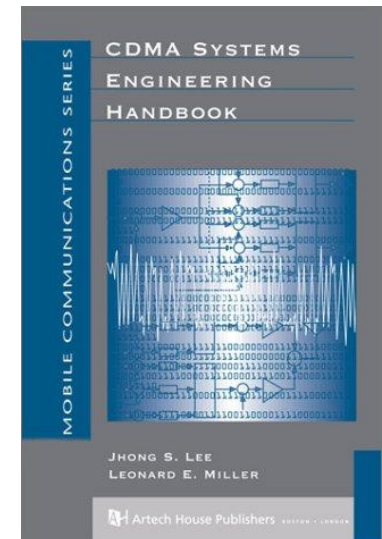


References

- J. S. Lee and L. E. Miller, **CDMA Systems Engineering Handbook**, 1998.
 - Chapter 4 and 5
- R.E. Ziemer, **Fundamentals of Spread Spectrum Modulation**, 2007
 - Chapter 4



[TK5103.45 L44 1998]



Cellular System	Multiple Access Technique
Advanced Mobile Phone System (AMPS)	FDMA/FDD
Global System for Mobile (GSM)	TDMA/FDD
US Digital Cellular (USDC)	TDMA/FDD
Pacific Digital Cellular (PDC)	TDMA/FDD
CT2 (Cordless Telephone)	FDMA/TDD
Digital European Cordless Telephone (DECT)	FDMA/TDD
US Narrowband Spread Spectrum (IS-95)	CDMA/FDD
W-CDMA (3GPP)	CDMA/FDD CDMA/TDD
cdma2000 (3GPP2)	CDMA/FDD CDMA/TDD